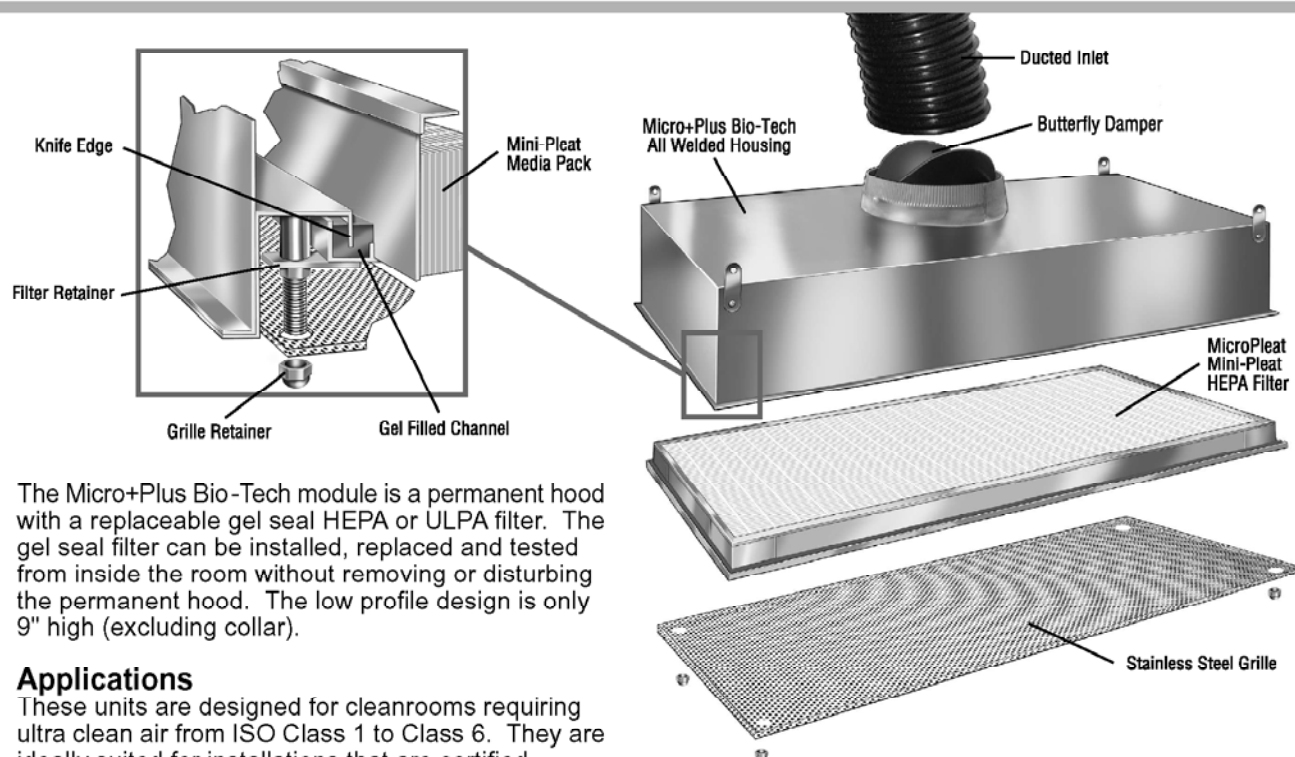




Micro+Plus™ Bio-Tech

**Replaceable Filter Ceiling Modules - Low Profile Design
Aluminum or Stainless Steel Housing - All Welded Construction**

**Innovative
Clean Air
Solutions**



The Micro+Plus Bio-Tech module is a permanent hood with a replaceable gel seal HEPA or ULPA filter. The gel seal filter can be installed, replaced and tested from inside the room without removing or disturbing the permanent hood. The low profile design is only 9" high (excluding collar).

Applications

These units are designed for cleanrooms requiring ultra clean air from ISO Class 1 to Class 6. They are ideally suited for installations that are certified frequently and where minimizing downtime is critical. Pharmaceutical and bio-tech industries are representative of these critical applications.

Operation

The modules are designed for lay in installation in standard 1-1/2" or 2" T-Bar ceiling grids or hard ceilings. Incoming air is supplied to the units through a flexible duct connected to the inlet collar. Air flow is distributed evenly over the face of the filter by an air distribution plate mounted inside the housing below the inlet collar. A butterfly damper in the collar allows adjustment of air flow through the unit to facilitate balancing the room. A removable stainless steel grille mounted on the downstream side of the housing protects the filter and helps create uniform air flow into the clean space.

Construction Features

Housing - Constructed of .063 aluminum or 304 stainless steel with a 10" or 12" inlet collar.

Welded Seams - All straight seams are continuously welded to assure leak free construction. All other joints are intermittently welded and sealed with RTV sealant.

Butterfly Damper - Air flow balancing is controlled by a butterfly damper adjustable from inside the room.

Stainless Steel Grille - A stainless steel grille fits flush with the housing and is easily removable from inside the room without disturbing the filter. The grille is a perforated plate, 40% open.

Reverse Gel Seal HEPA Filter - The reverse gel seal cell side design allows the filter to be inserted up into the housing minimizing overall height of the unit and maintaining a flush fit in the ceiling grid. The standard unit is 99.99% efficient on 0.3 micron particles.

Static Pressure / Sampling Port - A port is accessible from inside the room to measure static pressure or sample the upstream aerosol concentration during on site certification testing.

Options

- ULPA filters (99.9995% on .12 microns)
- Extended stainless steel grille
- Undersized unit for 2" T-Bar ceiling grid
- Hanging tabs
- Aerosol dispersion nozzle
- Aerosol dispersion quick disconnect
- Foil insulation
- Stainless steel trim for installing in sheet rock or plaster ceiling. (5/8" or 1-1/2" wide)

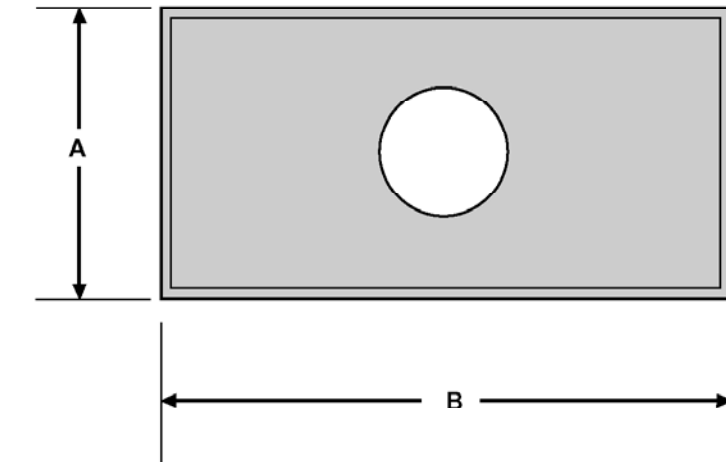
Micro+Plus™ Bio-Tech

Replaceable Filter Ceiling Modules - Low Profile Design

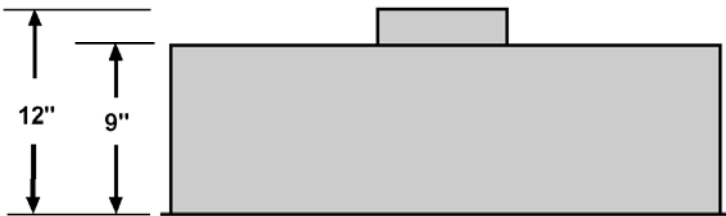
Aluminum or Stainless Steel Housing - All Welded Construction

Dimensions

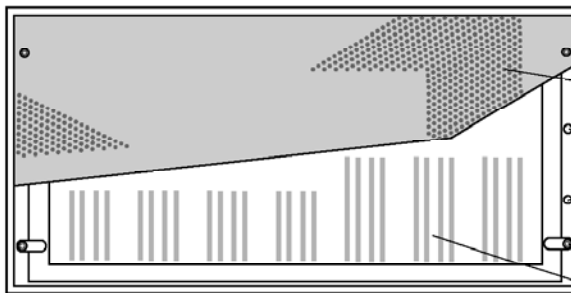
Top View



Side View



Bottom View



Nominal Size	A		B	
	24"	24"	24"	48"
Flanged Housing for T-Bar Grid				
1-1/2" T-Bar Grid	23-5/8"	23-5/8"	47-5/8"	
2" T-Bar Grid	23-1/8"	23-1/8"	47-1/8"	
Flangless Housing for Hard Ceiling Installation*	22-5/8"	22-5/8"	46-5/8"	

*Outside dimensions of housing. Trim is field installed.

Standard Features

- Aluminum or stainless steel housing
- Knife edge housing with gel seal HEPA filter
- All welded construction
- Roomside adjustable butterfly damper
- 10" or 12" inlet collar
- Perforated stainless steel grille
- 99.99% efficiency on 0.3 microns
- 53 mm mini-pleat media pack, rated velocity - 90 FPM
- Integral filter retainer/grille retainer
- Filters are classified U.L. Class 1 or Class 2 per U.L. Standard 900 (Specify)

Reverse Gel Seal Replaceable HEPA Filter Creates Positive Seal

The sealing design of the Micro+Plus Bio-Tech module consists of a knife edge flange in the housing that mates with a gel filled channel around the perimeter of the mini-pleat filter. When the filter is installed, the knife edge penetrates the gel creating a positive seal against leakage. The filter is easily latched into place with four retainers.



AIRGUARD

P.O. BOX 32578, LOUISVILLE, KENTUCKY 40232-2578
1-800-999-3458 FAX (502) 961-0930

Visit our Web Site - www.airguard.com
E-Mail Address - mailbag@airguard.com

Airguard has a policy of continuous product research and development and reserves the right to change design and specifications without notice.

Distributed by: