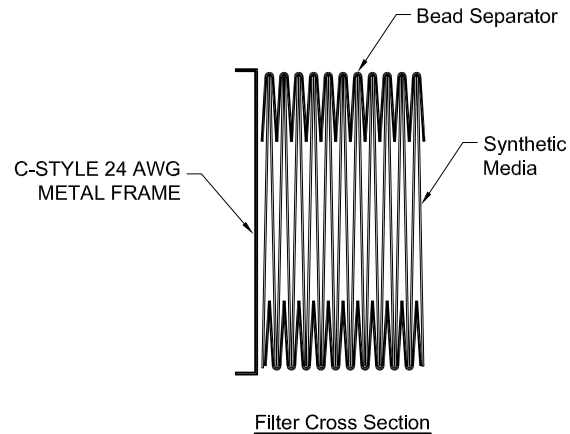
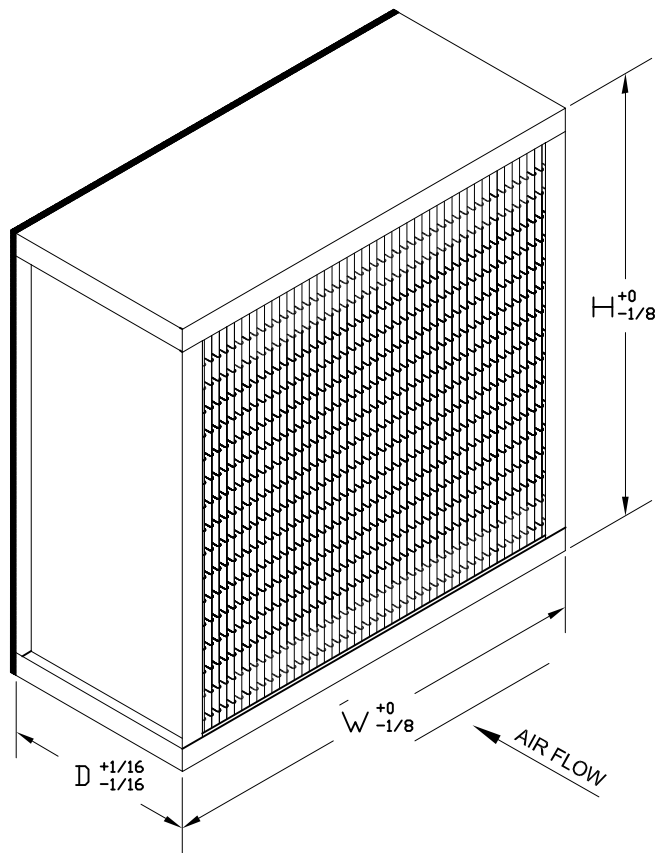


MODEL NUMBER	CONSTRUCTION CODE	NOMINAL SIZE (INCHES) HXWXD	ACTUAL SIZE (INCHES) HXWXD	RATED AIR FLOW (CFM)	INITIAL RESISTANCE (IN. W.G.)	MEDIA AREA (SQUARE FEET)	Efficiency @ 0.3 Micron
MGLR-501-MC	K2424B00-0EG00000E	24X24X12	24X24X11-1/2	2000	1.00	122	99% +
MGLR-501A-MC	K2323B33-0EG00000E	24X24X12	23-3/8X23-3/8X11-1/2	2000	1.00	116	99% +
MGLR-507A-MC	K2319B33-0EG00000E	24X20X12	23-3/8X19-3/8X11-1/2	1640	1.00	100	99% +
MGLR-506A-MC	K1919B33-0EG00000E	20X20X12	19-3/8X19-3/8X11-1/2	1400	1.00	83	99% +
MGLR-500-MC	K2412B00-0EG00000E	24X12X12	24X12X11-1/2	1000	1.00	61	99% +
MGLR-500A-MC	K2311B33-0EG00000E	24X12X12	23-3/8X11-3/8X11-1/2	1000	1.00	56	99% +



STANDARD CONSTRUCTION

- 100% Synthetic Media
- Bead Separator Packs
- 24 AWG galvanized metal box frame
- Urethane Sealant
- 1/4 x 3/4 neoprene gasket down stream
- Other gasket locations optional

NOTES

- Testing per LMS 2000 using emery oil, neutralized
- Standard final resistance 2.00" W.C.
- Rated Velocity - 500 FPM
- Maximum Operating Temperature: 180 deg. F
- Filters Classified per U.L. Standard 900 for Flammability only
- Filters Class 2 Filter per UL Standard S111
- Contact factory for special sizes

100 River Ridge Circle
Jeffersonville, IN 47130
P: 866-247-4827
F: 502-961-0930
www.airguard.com

**CONTACT FACTORY TO
VERIFY REVISION LEVEL**

TOLERANCES
UNLESS OTHERWISE SPECIFIED

FRACTIONAL	-
DECIMAL	-
ANGLES	-

ALL DIMENSIONS IN INCHES

DRAWING NAME MICRO GUARD LR METAL BOX FRAME			
APPROVED BY <i>K. Quinn</i>	SPECIFICATION NO. MKT-B-00593	PAGE 1 OF 1	
SCALE NONE	DWG. SIZE A	REVISION B	REVISION DATE 5/14/2012
CONFIDENTIAL - DO NOT COPY. THIS MATERIAL IS TRADE SECRET AND PROPRIETARY BEING EXCLUSIVELY OWNED BY CLC AIR. THE EXPRESSION OF THE INFORMATION CONTAINED HEREIN IS PROTECTED UNDER FEDERAL COPYRIGHT LAWS AND ALL COPYING IS PROHIBITED AND MAY BE SUBJECT TO CRIMINAL PENALTIES.			